

Inhalt

MERCEDES

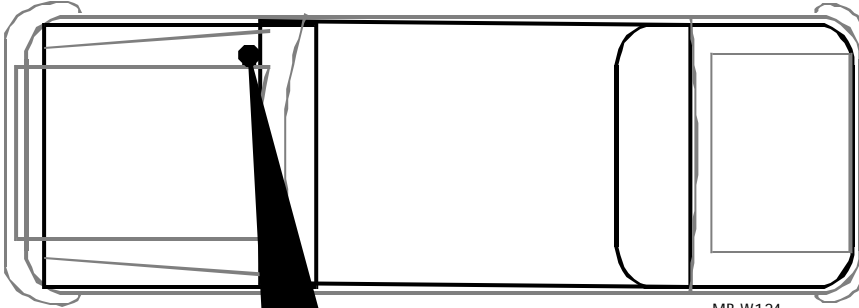
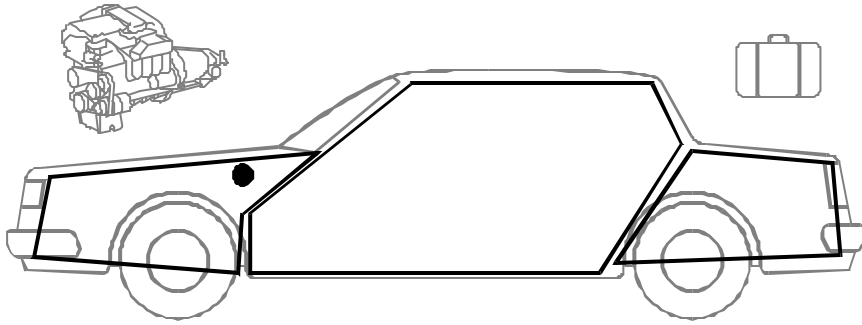
W 124 (16polig)

W 124, 129, 140, 202 (38polig)

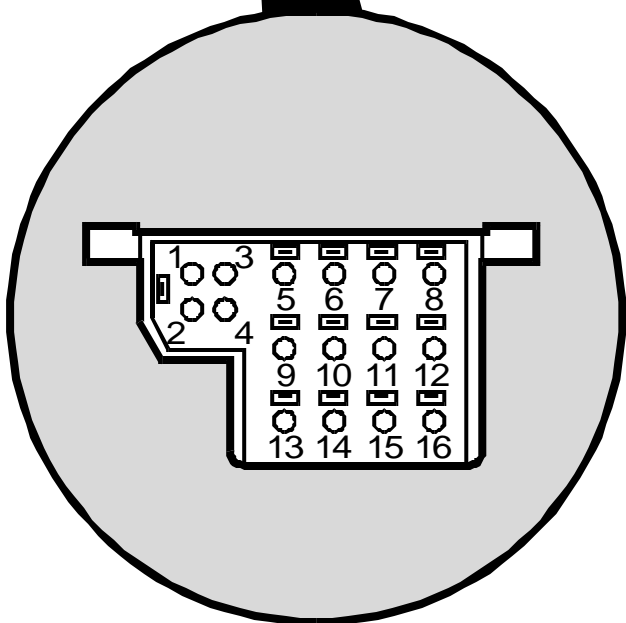
W124 (8polig) >|89, W126 >|90

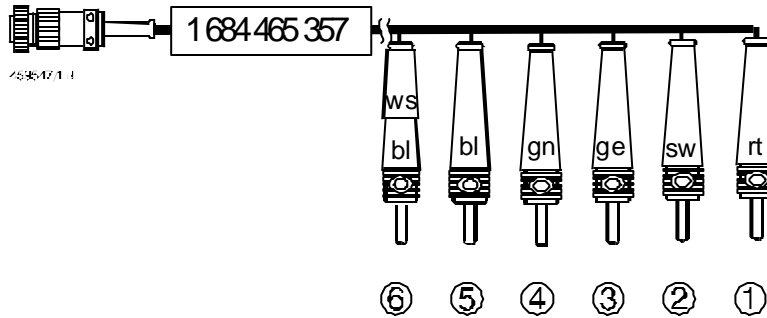
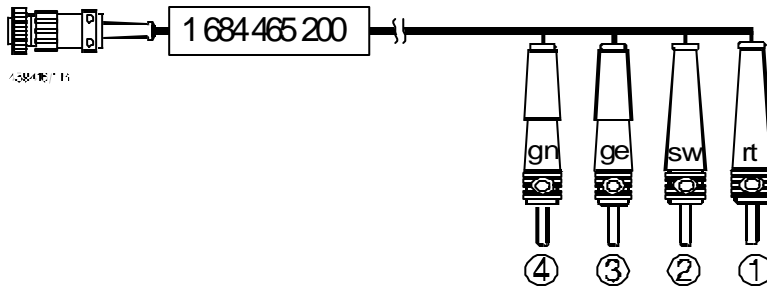
W210 (38polig)

W 124 (16polig)



MB_W124

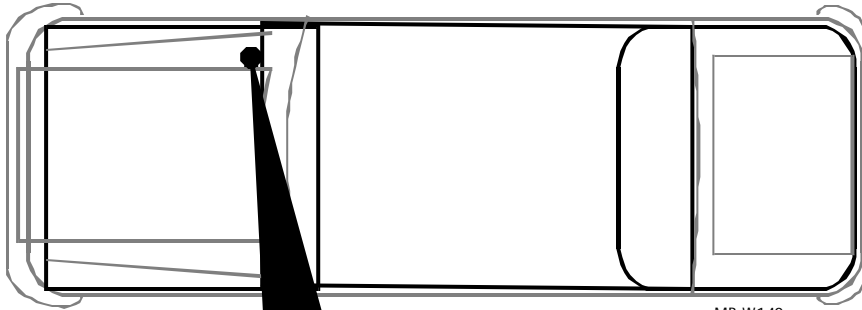
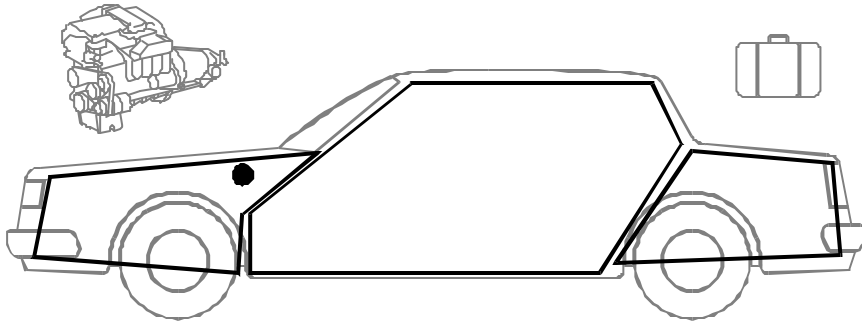




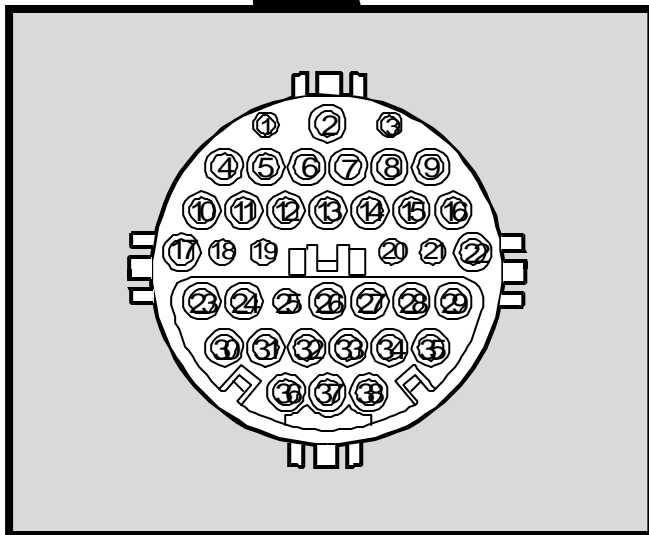
	UNI2	UNI1	K	L	-	+		
KE/DM	-	-	3	-	1	16		
EDS/LED	-	-	-	4	-	1	16	
ASD/4MATIC	-	-	-	5	-	1	16	
AB	-	-	6	-	1	16		
KLA/TAU/ÜRB	-	-	-	7	-	1	16	
EZL/HFM/PMS/M3.4	-	-	-	-	8	-	1	16
ADS/ÜRB	-	-	-	9	-	1	16	
RV	-	-	10	-	1	16		
EDW	-	-	11	-	1	16		
IFZ	-	-	12	-	1	16		
EAG	-	-	13	-	1	16		
EFB/LLR/MAS/TPM	-	-	-	-	14	-	1	16

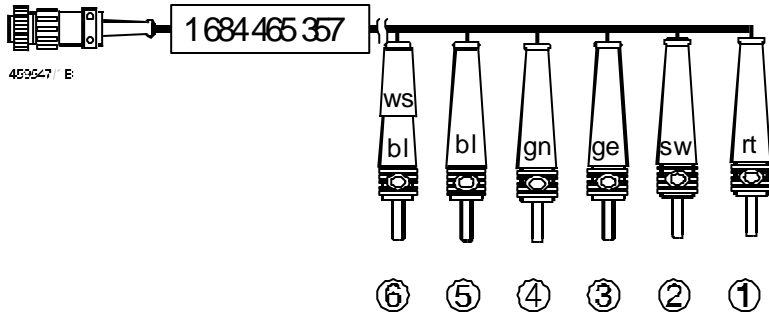
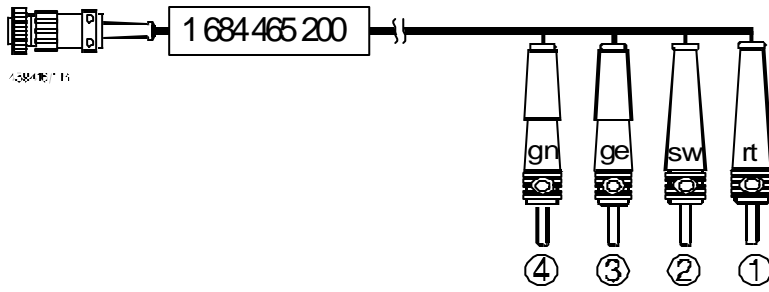
© 1997 Robert Bosch GmbH Plochingen

W 124, 129, 140, 202 (38polig)



MB_W140

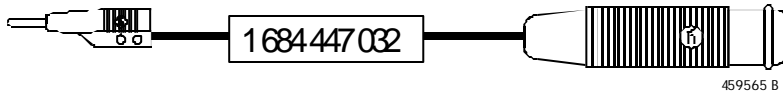




	UNI2	UNI1	K	L	-	+		
EDS/ERE/EVE/HFM/LH	-	-	5	-	4	-	1	3
LH	-	-	5	-	1	3		
ABS/ASR	-	-	6	-	1	3		
EFP/LLR/TPM	-	-	7	-	1	3		
GM	-	-	8	-	1	3		
ASD	-	-	9	-	1	3		
EAG	-	-	10	-	1	3		
ADS	-	-	11	-	1	3		
PML	-	-	12	-	1	3		
HAU/KLA	-	-	16	-	1	3		
EZL	-	-	17	-	1	3		
EZL	-	-	18	-	1	3		
DM	-	-	19	-	1	3		
PSE	-	-	20	-	1	3		
KFB/RV	-	-	21	-	1	3		
ÜRB	-	-	22	-	1	3		
EDW	-	-	23	-	1	3		
AB	-	-	30	-	1	3		
IFZ	-	-	31	-	1	3		

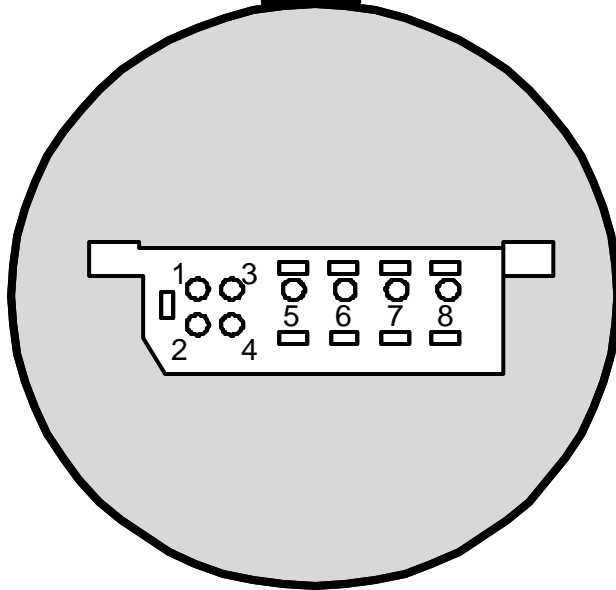
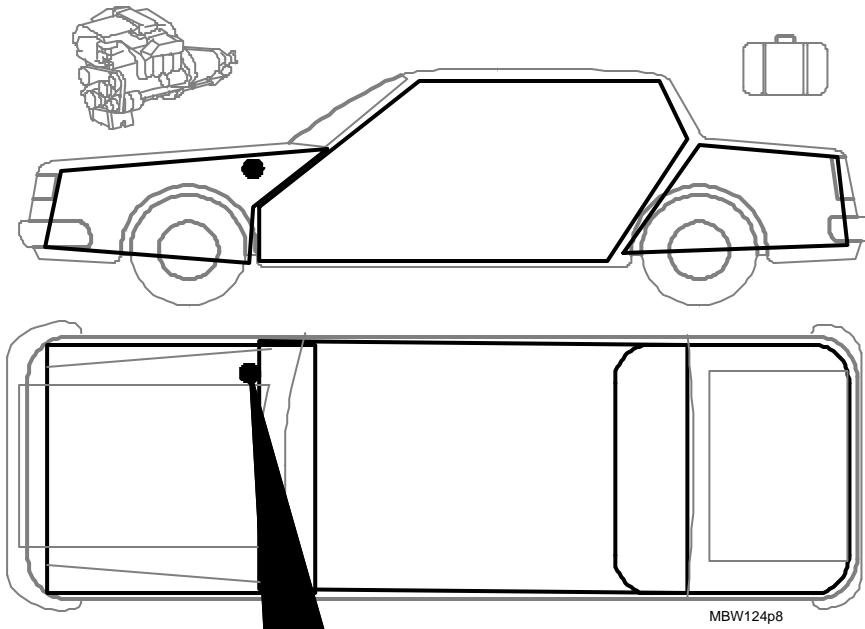
STH - - 36 - 1 3

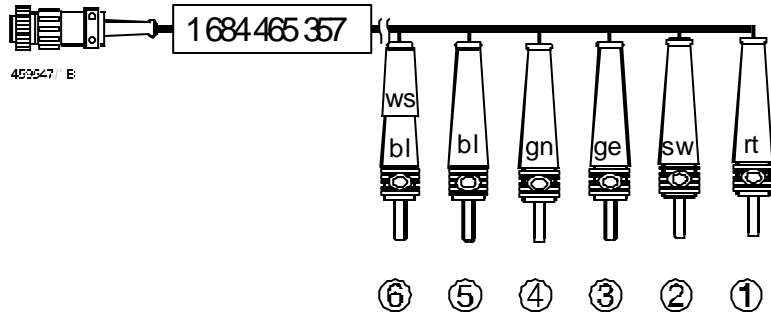
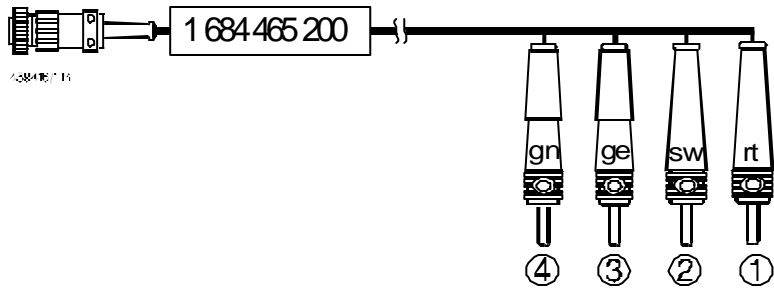
+ 3x



© 1997 Robert Bosch GmbH Plochingen

W124 (8polig) >|89, W126 >|90

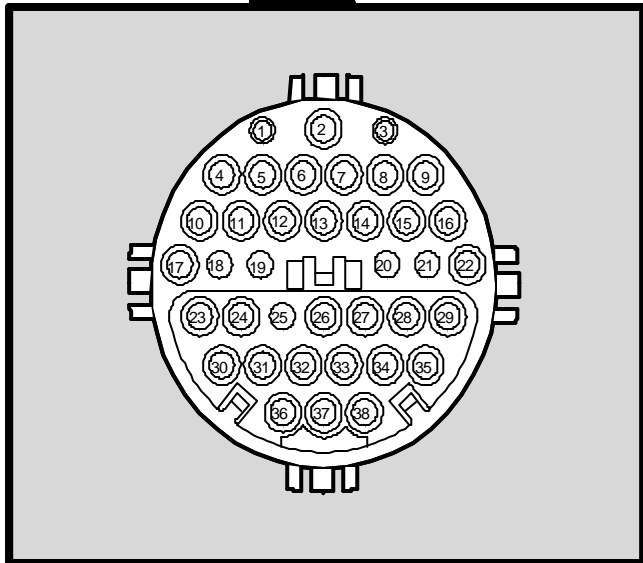
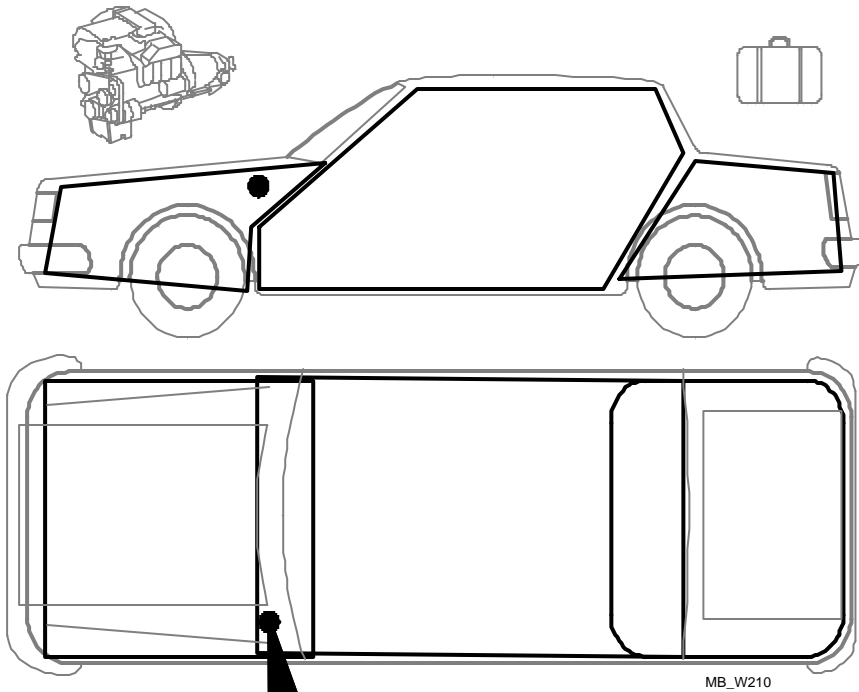


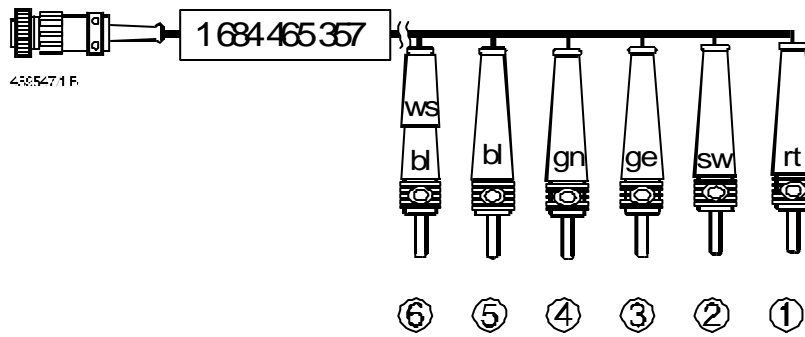
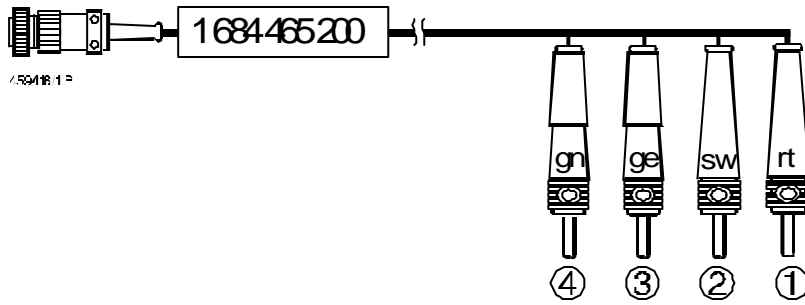


	UNI2	UNI1	K	L	-	+
TD/TN	-	2	-	-	1	6
DC	-	3	-	-	1	6
LED	-	4	-	-	1	6

© 1997 Robert Bosch GmbH Plochingen

W210 (38polig)

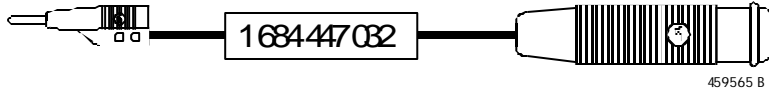




	UNI2	UNI1	K	L	-	+		
EDS/ERE/EVE/HFM/LH	-	-	5	-	4	-	1	3
LH	-	-	5	-	1	3		
ABS/ASR	-	-	6	-	6	-	1	3
EFP/LLR/TPM	-	-	7	-	7	-	1	3
GM	-	-	8	-	8	-	1	3
ASD	-	-	9	-	9	-	1	3
EAG	-	-	10	-	10	-	1	3
ADS	-	-	11	-	11	-	1	3
PML	-	-	12	-	12	-	1	3
HAU/KLA	-	-	16	-	16	-	1	3
EZL	-	-	17	-	17	-	1	3
EZL	-	-	18	-	18	-	1	3
DM	-	-	19	-	19	-	1	3
PSE	-	-	20	-	20	-	1	3
KFB/RV	-	-	21	-	21	-	1	3
ÜRB	-	-	22	-	22	-	1	3
EDW	-	-	23	-	23	-	1	3
AB	-	-	30	-	30	-	1	3

IFZ - - 31 - 1 3
STH - - 36 - 1 3

+ 3x



© 1997 Robert Bosch GmbH Plochingen